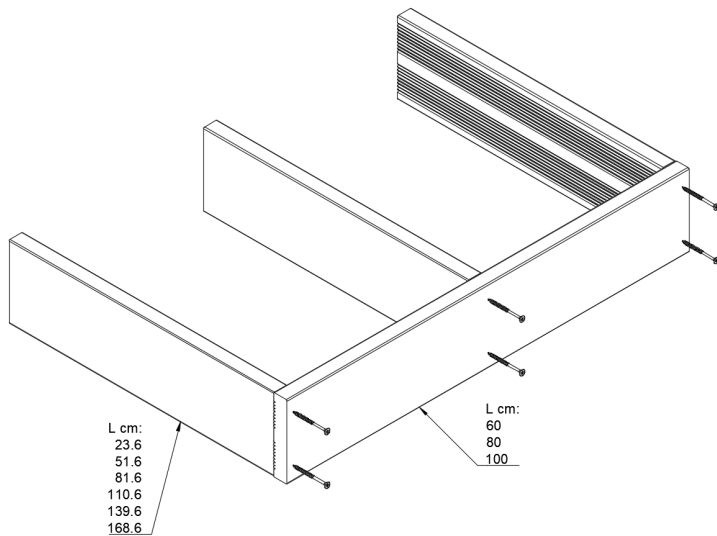




Assembly / installation manual for modular garden steps



First, create the structure of your step. Each step has 2 different lengths of boards:

- 3 or 4 boards pending on the width of your step. These boards are for the length of your module

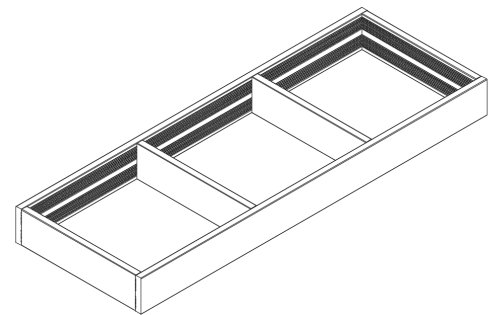
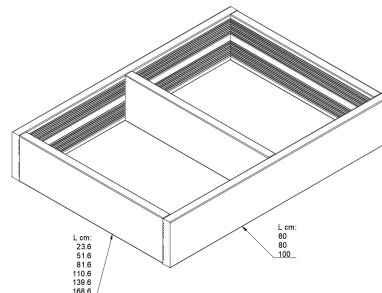
- 4 / 6 / 8 / 10 / 12 / 14 pieces of 60 / 80 / 100 / 120 / 140 / 160 cm long, pending on the width and number of planks you have ordered. These boards go in the width of your step.

Place 1 board of 60 / 80 / 100 / 120 / 140 / 160 cm right up.

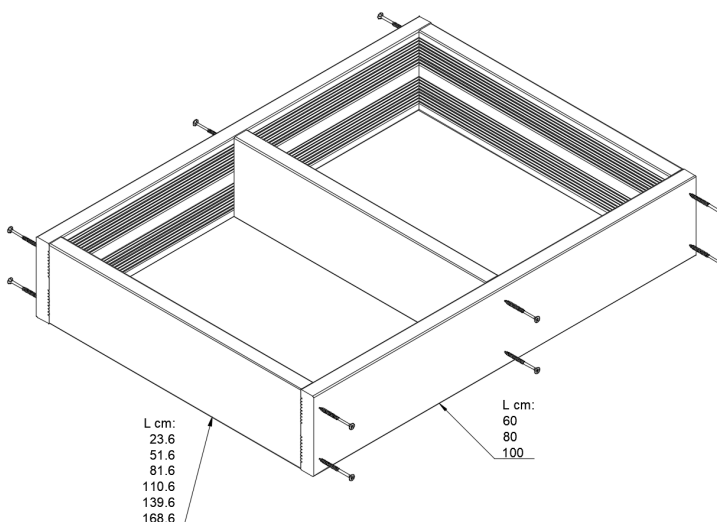
Put marks on the top of the board at the following distances, that's the place where the "length planks" will come. Don't worry about the precision, it doesn't matter too much where the length planks are, you won't see them once the step is finished;

Width 60 cm: mark at 30 cm
Width 80 cm: mark at 40 cm
Width 100 cm: mark at 50 cm

Width 120 cm: mark at 40 + 80cm
Width 140 cm: mark at 46 + 93 cm
Width 160 cm: mark at 53 + 106cm



Take the length boards, put them right-up and fix each of them with 2 screws like shown in the picture.



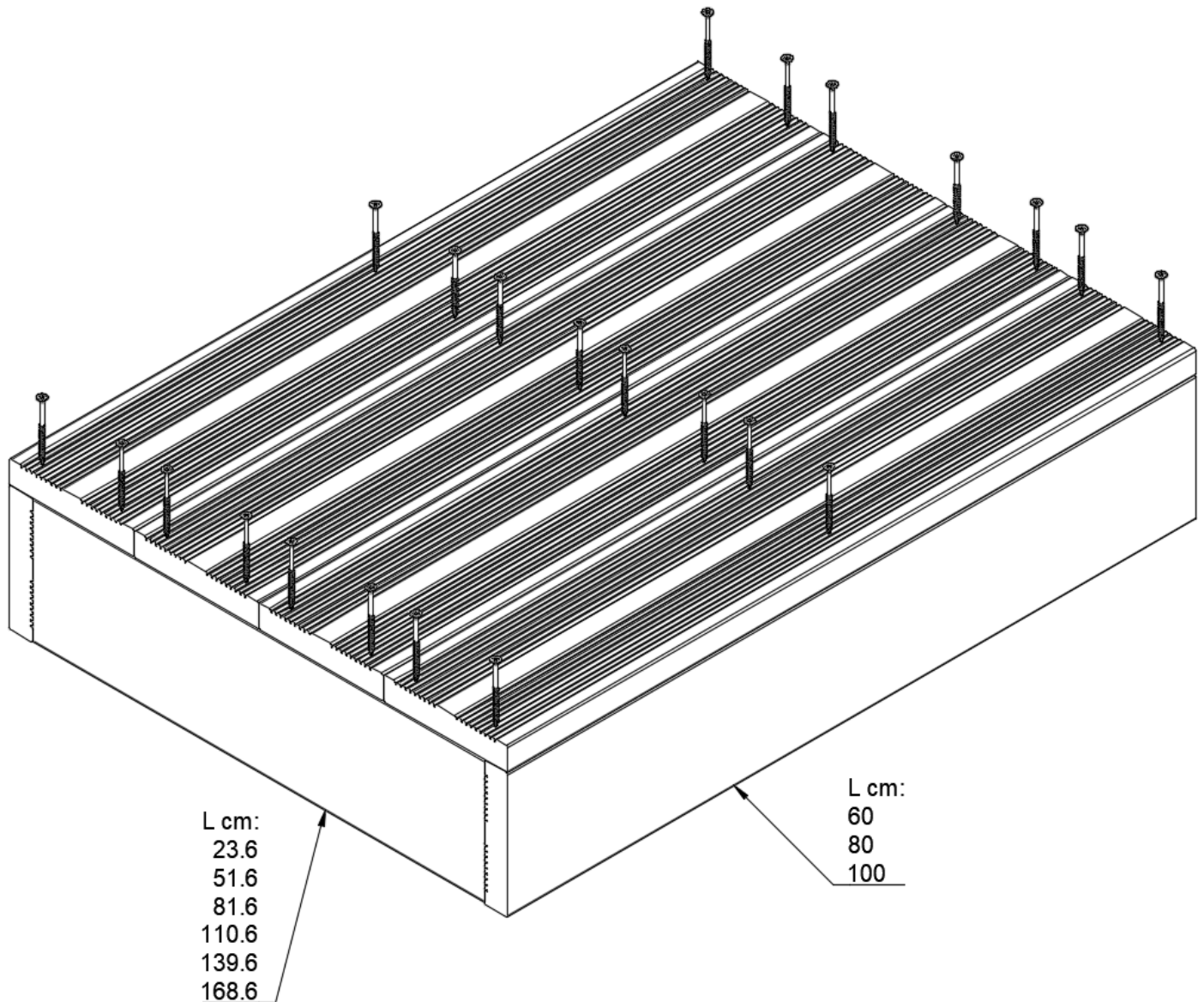
It's recommended to pre-drill the holes with $\varnothing 3\text{mm}$ to avoid splitting the wood.

However, I never do this myself, keep your screws at least 1 cm from the sides and screw slowly to avoid screwing them too fast into the wood. Normally this works fine, never had any issue.

Then place 1 board of 60 / 80 / 100 cm right up on the other side and fix it with screws like you did before.



Assembly / installation manual for modular garden steps



Do you stack multiple steps? Please read the instructions on the next page, before closing the top of your step!

Distribute the boards on top equally over the length of your step.

Pending on the humidity of the wood, you'll probably have some space between the boards.

This is necessary as the wood will swell when getting wet and shrink during dry periods.

Fix the boards with the screws as you did before.



Assembly / installation manual for modular garden steps

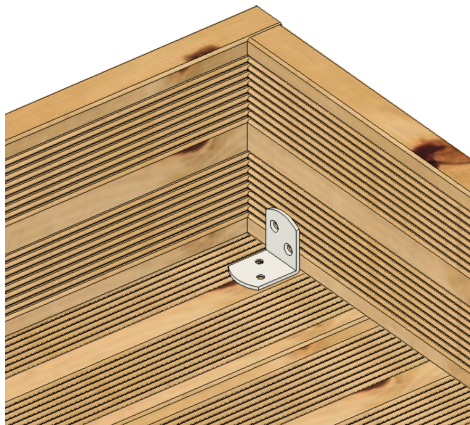
How to fix multiple modules together?

In case you order multiple modules with the objective to assemble them together, please follow the following instructions;

1. First assemble the bottom step completely
2. Then assemble **ONLY** the structure of the second step, without fixing the top/cover boards on it.
3. We recommend to use our small fastening brackets to fix the different steps together: (4 pieces in 1 package)



4. Place the second step on top of the first one and fix them between another, on the innerside, with the corner brackets and the screws supplied with them. Use at least 2 brackets, 1 left and right, for large/long steps we recommend to use 4.



5. Close the top of the second step
6. Place the structure of your third step on it, fix it with brackets and close it with the top boards.
7. and so on until your stairs are finished.